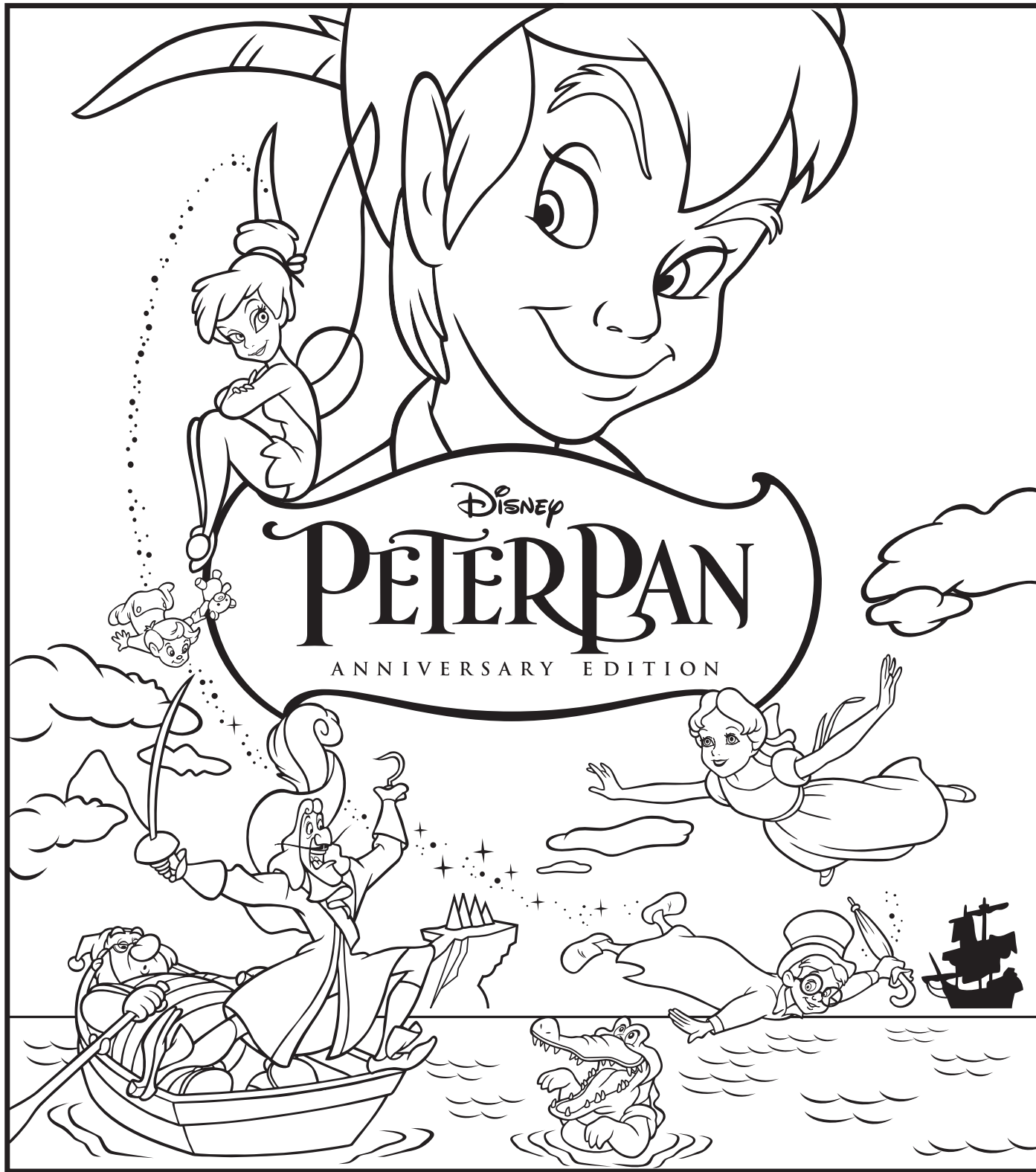


COLORING FUN! JUST THINK OF HAPPY THOUGHTS!



© 2018 Disney

Disney
PETER PAN
ANNIVERSARY EDITION

ON DIGITAL MAY 29
ON BLU-RAY™ JUNE 5

RE-CREATE THE MAGIC IN YOUR OWN HOME!**Featuring character cutouts of Peter, Tink, Captain Hook, Wendy, Tick Tock****WHAT YOU'LL NEED**

- Large cardboard box in the size you'd like
- Scissors or a box cutter (ask an adult to complete this portion)
- Wax paper or white cloth (a handkerchief or a piece of an old sheet)
- Flashlight
- Tape
- Several pencils or popsicle sticks
- Crayons, markers or construction paper for decoration

BUILD YOUR SHADOW THEATRE

- 1: Find an empty cardboard box.
- 2: Draw a line within the box frame, leaving a 2 inch border (fig. 1).
- 3: Ask an adult to cut along this line to create your screen.
- 4: Cut along the bend to remove the top, bottom & opposite side of box, leaving the two sides to fold out as wings (fig. 2).
- 5: Ask an adult to cut a piece of wax paper or white cloth (a handkerchief or a piece of an old sheet) big enough to cover the opening in the frame. Use masking tape to attach this tightly to the back side of the screen (fig. 3).
- 6: Position your screen on a table edge and set up an unshaded light behind the screen (fig. 5).
- 7: Ask an adult to cut out the provided shadow puppet shapes. Attach a popsicle stick or pencil (with tape) to the back of the cutout for the puppeteer to hold and move the character.

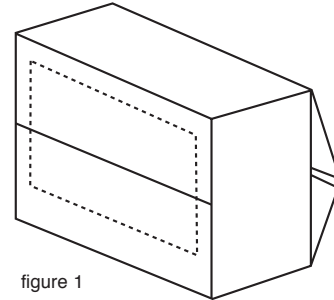


figure 1

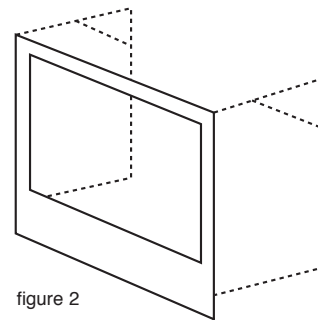


figure 2

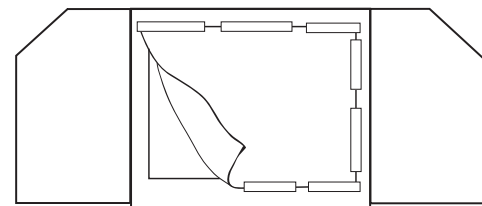


figure 3 (rear construction)

PRESENT YOUR SHADOW SHOW:

Drape a tablecloth over the table front to hide your activity from the audience.

Place an unshaded lamp or flashlight on a chair behind the puppeteer area as shown.

Puppeteers sit or kneel on the floor behind the screen to operate your puppets.

Hold your puppets between the light and the screen, and the audience will see the shadows that you create on the other side.

If possible, turn out other unnecessary room lights to help the audience focus on the puppets' actions on screen.

Create additional scenery – trees, mountains, the pirate ship, Big Ben, etc., to tell your stories.

Stage your own adventure with any combination of these characters.

- Help Wendy find Peter's Shadow
- Peter rescues Tink from Captain Hook
- Tick Tock nearly catches Captain Hook

<see next page for your shadowbox character cutouts>

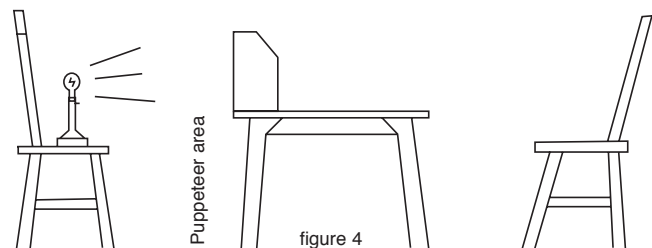
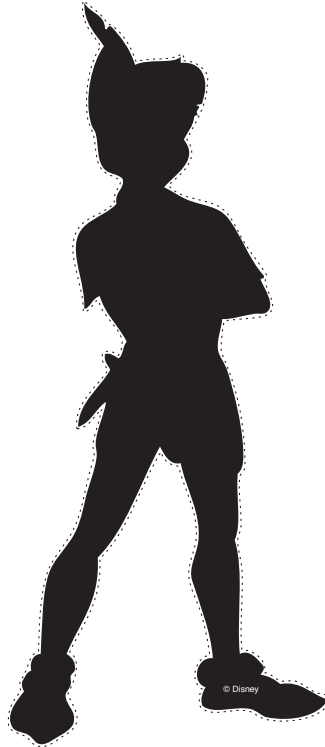
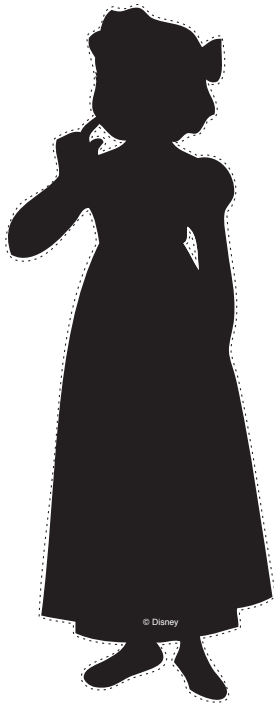


figure 4



**NEVER LAND SHADOWBOX
THEATRE**

© 2018 Disney

Disney
PETER PAN
ANNIVERSARY EDITION

ON DIGITAL MAY 29
ON BLU-RAY™ JUNE 5

“ARGH” YOU READY TO PLAY SUDOKU?



SWASHBUCKLING FUN WITH PETER PAN!

1				
2				
3				
4				

Test your logic with this puzzle game. Cut out and place the icons below from the *Peter Pan* movie in the empty squares so that each icon appears only once in each row and column.



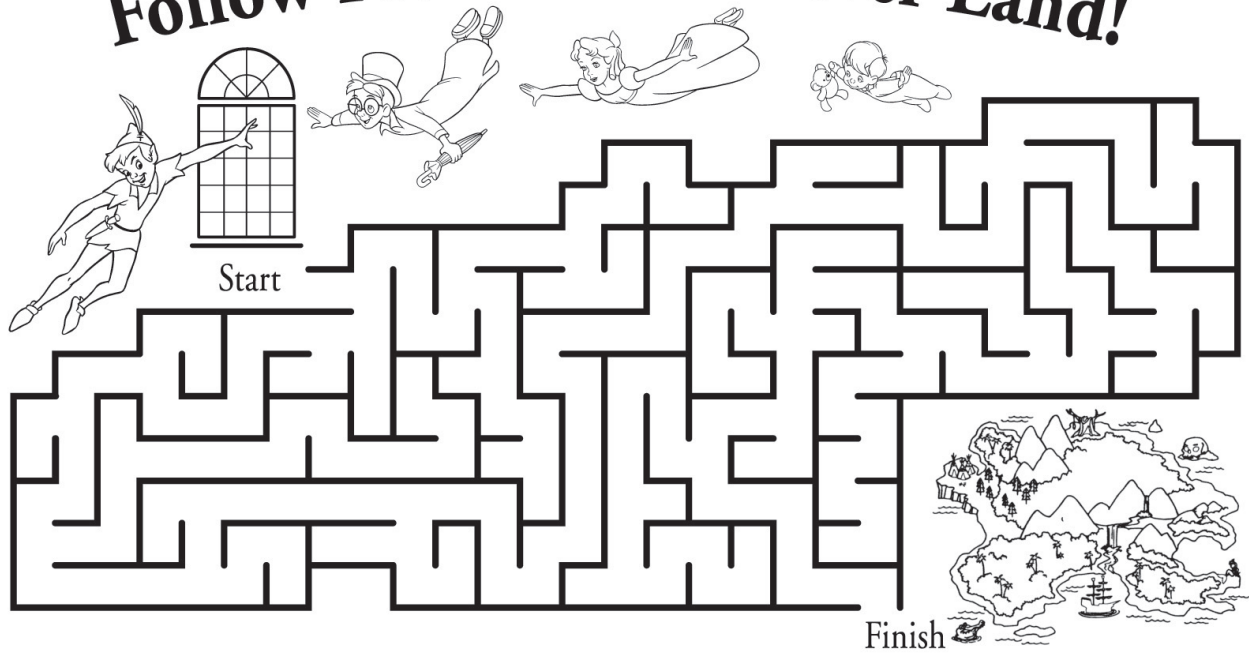
ANSWERS: Row 1: Tinker Bell - Cap, Row 2: Ship - Hook, Row 3: Hook - Cap, Row 4: Cap - Tinker Bell - Hook - Ship.

© 2018 Disney

Disney
PETER PAN
ANNIVERSARY EDITION

ON DIGITAL MAY 29
ON BLU-RAY™ JUNE 5

Follow Peter Pan To Never Land!



What Belongs To Whom?

Draw a line between the character and the right object and then color everything in!



Answers: Peter Pan and Shadow, Captain Hook and Ship, Crocodile and "Ticking" Clock.

Somebody's Been Tinkering With Tinker Bell!

Color the two who are exactly alike!



Answer: Numbers 3 and 4.